

BLUEBOX UHF – Controller CX

Integrated Antenna



IDTRONIC's BLUEBOX Controller & Antenna family is well suited for industrial and enterprise applications, where reliable, robust and well performing products are needed. All components are designed as a powerful combination for an easy and cost efficient system installation.

BLUEBOX UHF – CX Controller read/write RFID industrial device with integrated antenna operating in the UHF frequency band (840MHz – 960MHz).

Communicates with a 'host' (typically a PC or PLC) via serial line RS232, RS485 or via Ethernet 10 – 100M, and liaising with a series of commands between it and the transponder present in the area of influence of the antenna.

Available with M12 or Amphenol RJ45 Connectors and optional Real Time Clock.

Applications

- Robotics
- Logistics / Data Collection
- Industrial / Parking Automation

Features

- Integrated antenna
- Antenna auto-tuning
- RS232, RS485 or Ethernet interface 10-100M
- USB VirtualCom service interface
- Real Time Clock (option)
- Upgradeable firmware
- Two digital opto-isolated inputs (option)
- Two digital relay output (option)
- Three signal LEDs
- Integrated buzzer
- M12 connectors, Amphenol RJ45 (option)
- Test and configuration software
- Stand Alone possible
- ANSI C software library (*.dll, *.h, *.def, *.lib files)
- Standard ISO 18000-6C (EPC C1G2)
- IP67 protection



Electrical Features

| | |
|-------------------------|---|
| Supported Transponder | ISO 18000-6C (EPC C1 G2) |
| Power Supply | 10 – 36 Vdc, PoE |
| Power Ratings | 15W @30dBm |
| Operating Frequency | 840MHz – 960MHz, software programmable |
| Output Power | Max 1 W (30dBm), 1dBm step software programmable |
| Antenna | Integrated |
| Reading Distance | Up to 3m |
| Communication Interface | RS232, RS485, Ethernet 10 – 100M |
| Service Interface | USB VirtualCom (Internal) |
| Digital Inputs | 2 opto-isolated inputs, 10 – 36 Vdc, max 20 mA @24Vdc |
| Digital Outputs | 2 relay outputs, 1A@30Vdc, 0.5A@125Vac |
| Status Display | 3 LEDs, buzzer |
| Connectors | M12, Amphenol RJ45 |

Mechanical Features

| | |
|------------------|-----------------------------|
| Dimensions | 110 x 140 x 62 mm |
| Material | Die-cast aluminium, plastic |
| Class Protection | IP67 |

Environmental Conditions

| | |
|-----------------------|---------------------------|
| Operating Temperature | -20°C ÷ +55°C |
| Storage Temperature | -40°C ÷ +85°C |
| Humidity | Up to 95%, non-condensing |

Applicable Standards

| | |
|------------------|--------------------------------|
| EMC | EN 301 489-3 |
| Radio Regulation | EN 302 208-2 |
| Safety | CEI EN 60950-1 CEI EN 50364 |

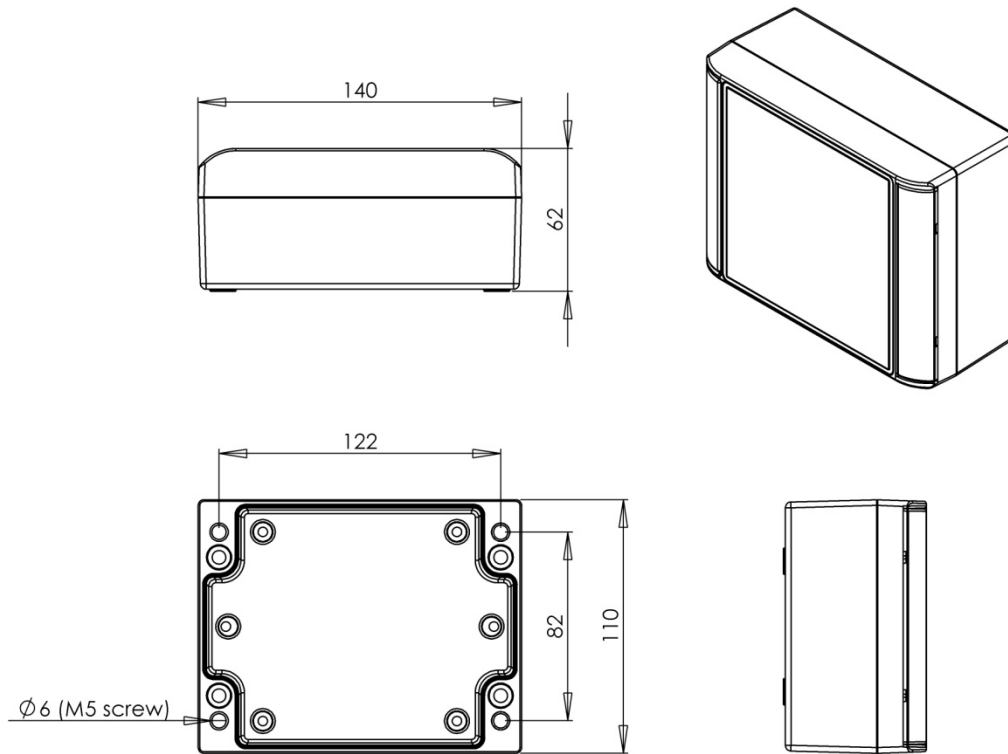


Ethernet connection with M12 D-coded



Ethernet connection with Amphenol RJ45

Mechanical View and Dimensions (in mm)



(Enclosure without connectors)

Order Codes

Amphenol RJ45
Amphenol RJ45

RS232/485 ETH
RS232/485 ETH + Real Time Clock

R-IN-UHF-5325U
R-IN-UHF-5325U-RTC

M12
M12

RS232/485 ETH
RS232/485 ETH + Real Time Clock

R-IN-UHF-5326U
R-IN-UHF-5326U-RTC